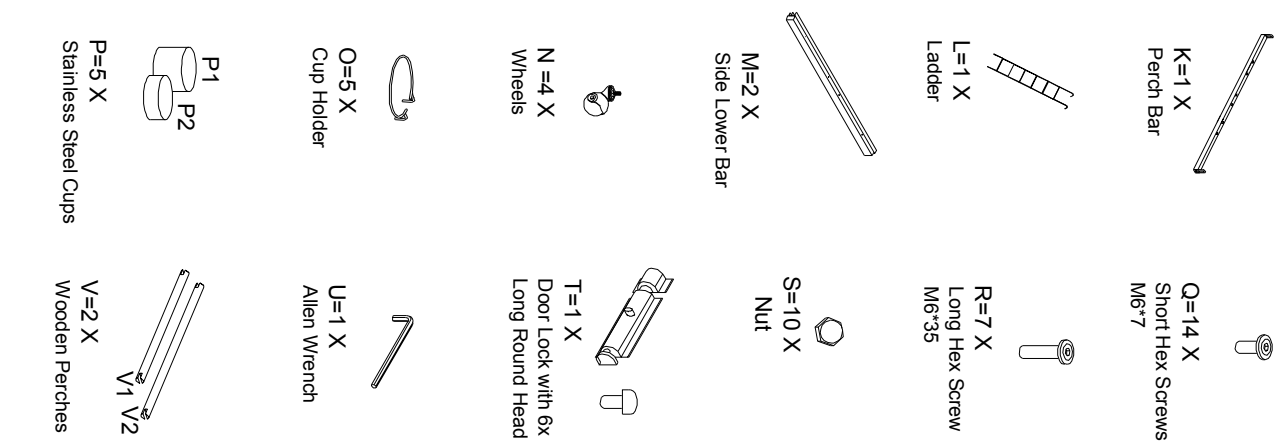
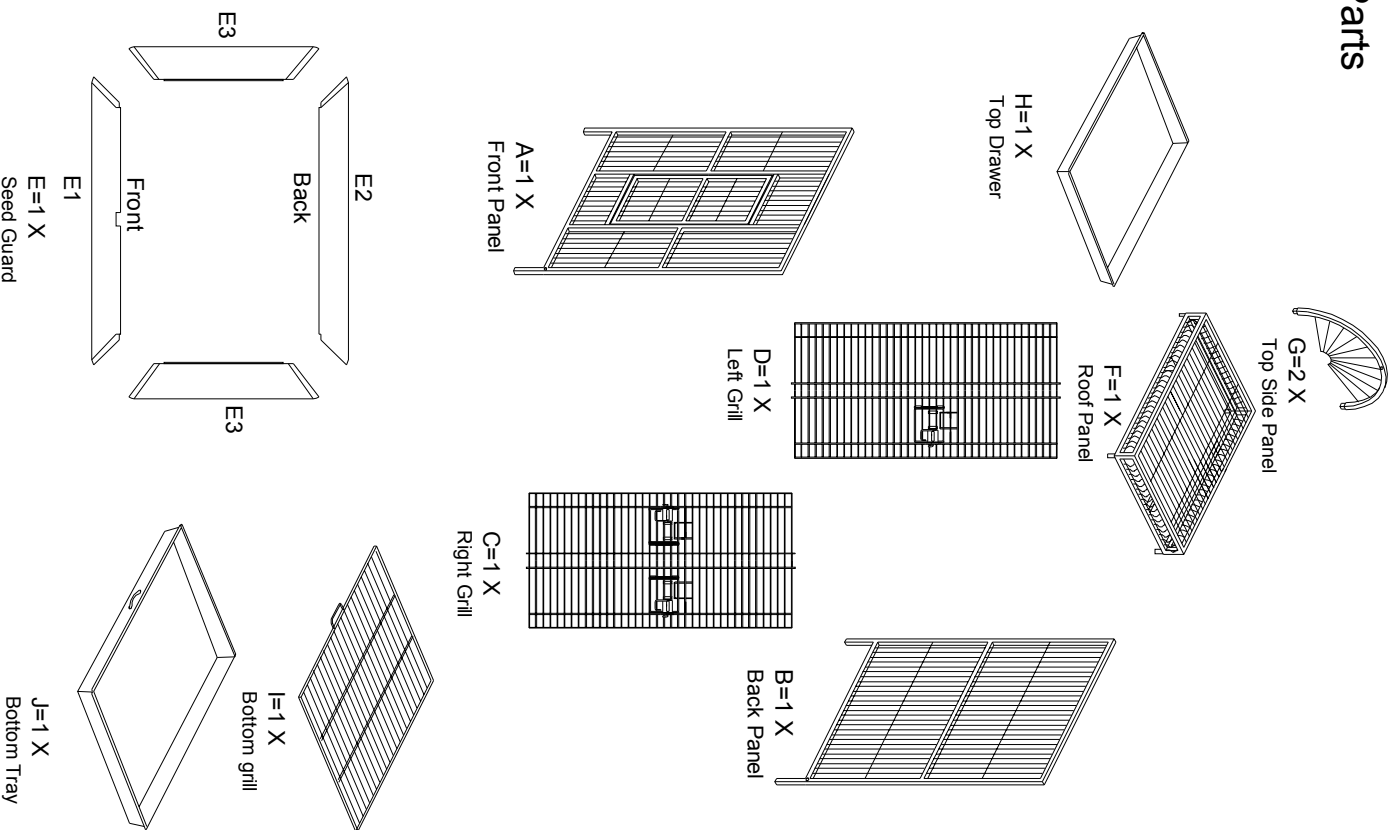


A08 Assembly Instructions

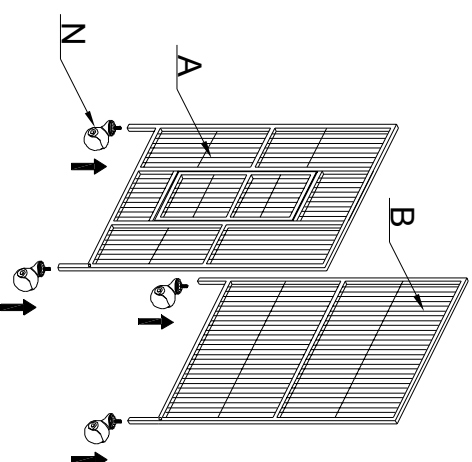
Parts



Steps

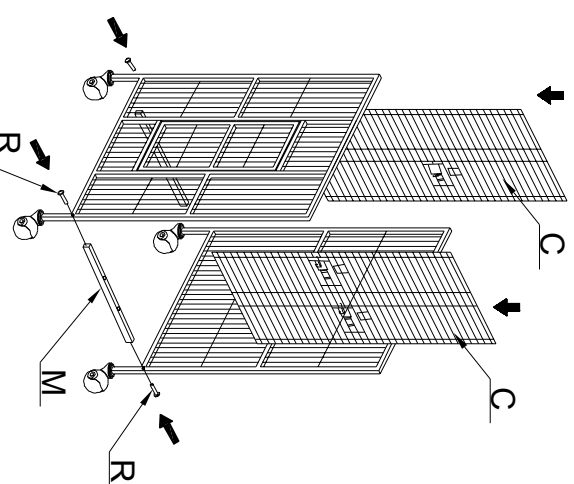
ATTENTION: THESE STEPS REQUIRE TWO PEOPLE

1.



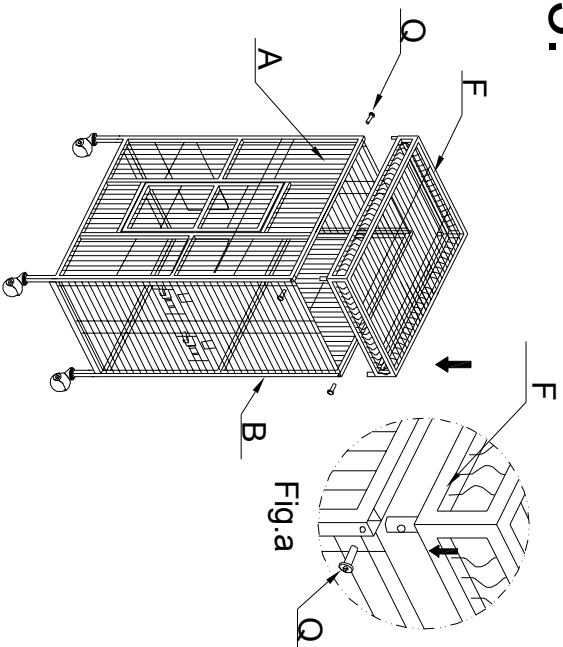
Step 1.
Attach Wheels(N) to legs of front(A) & back (B) panels

2.



Step 2.
1) Attach side lower bars(N) to (A,B) panels.
2) Align side grills (C,D) with corresponding holes along top surface of (M) bars.
3) Fix panels with long hex screws(R).

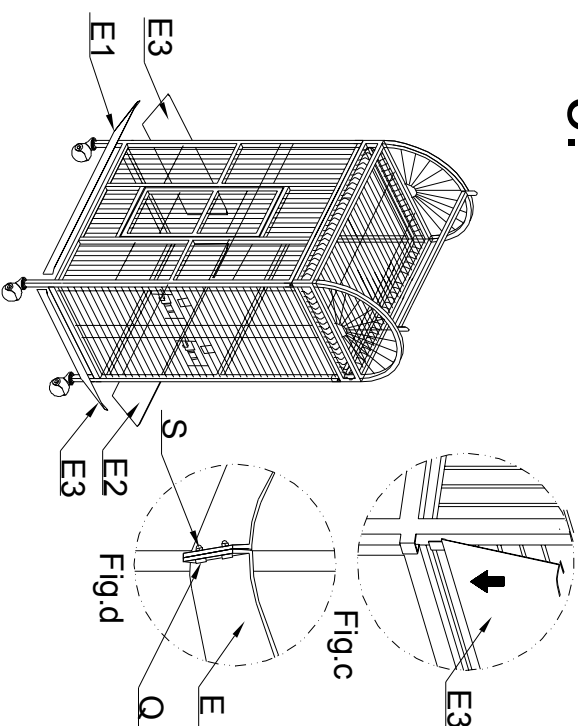
3.



Step 3.

- 1) Stack roof panel(F) at corner holes on (A,B) frames as Fig.a.
- 2) Fix panels with long hex screws(R).

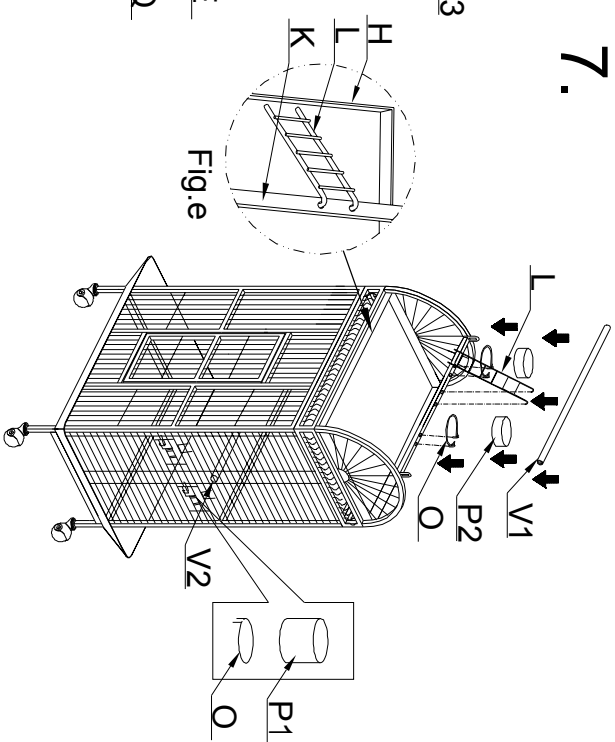
5.



Step 5.

- 1) Insert tab of side seed guard (E3) into sleeves on legs of (A,B) panels and slip guards into place as Fig. c.
- 2) Align holes at the secured guards (E3,E1), (E3,E1) together with screws(Q) and nuts(S) as Fig. d.

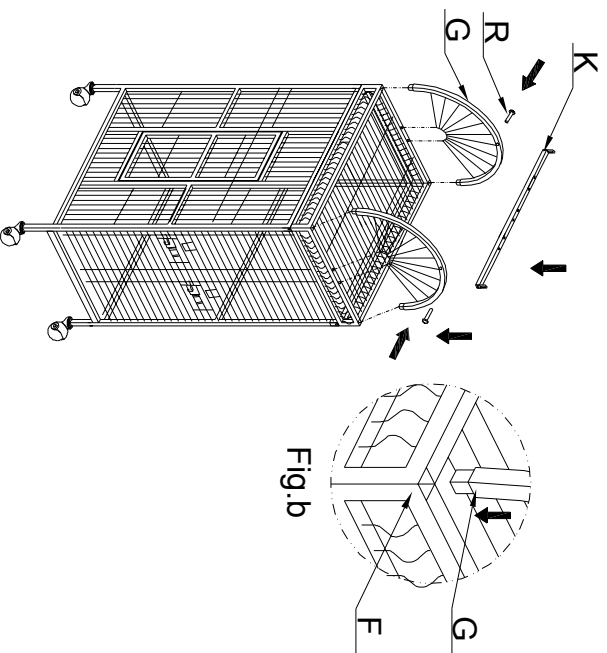
7.



Step 7.

- 1) lay the end of ladder into top drawer and install ladder (W) with corresponding holes on perch bar(K)as Fig.e.
- 2)Attach cup holders(O) stainless steel cups(P1, P2), wood perches(V1, V2) as shown.

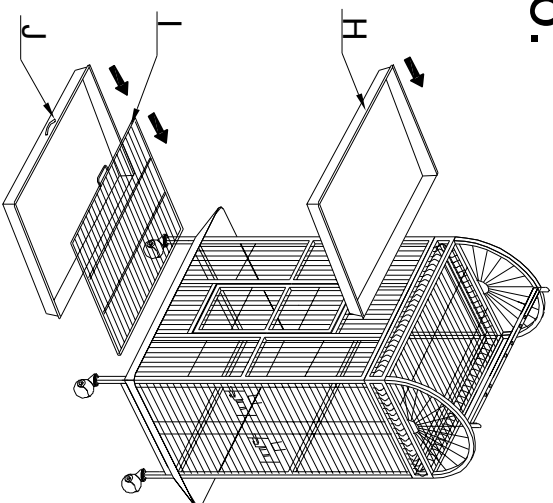
4.



Step 4.

- 1) Align top side panel(G) with holes along roof panel(F) as Fig.b.
- 2) Attach perch bar(K) to top side panel (G) with short hex screws(Q).

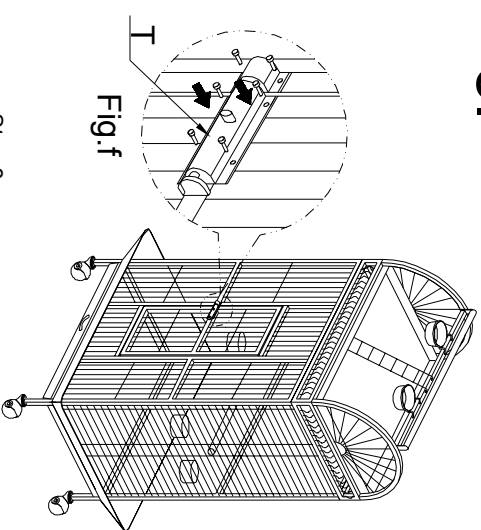
6.



Step 6.

- 1) Insert top drawer(H),bottom grill(I) and bottom tray(J) into cage as shown.

8.



Step 8.

- 1) Attach front door lock (T) with 6x long round head screws as Fig.f.

☆ Your cage is now fully assembled.